

# Ultrathin RF Remote Controller

Model No.: T9

1 zone RGB or RGBW/27 key/Wireless remote 30m distance/CR2032 battery



CE RoHS  LVD RED

## Features

- Apply to RGB or RGBW LED controller, dimming driver or smart lamp.
- Each remote can match one or more receiver.
- CR2032 battery powered.
- Operate with LED indicator light.

## Technical Parameters

Input and Output	
Output signal	RF(2.4GHz)
Working voltage	3VDC(CR2032)
Working current	< 5mA
Standby current	< 2 $\mu$ A
Standby time	2 year
Remote distance	30m

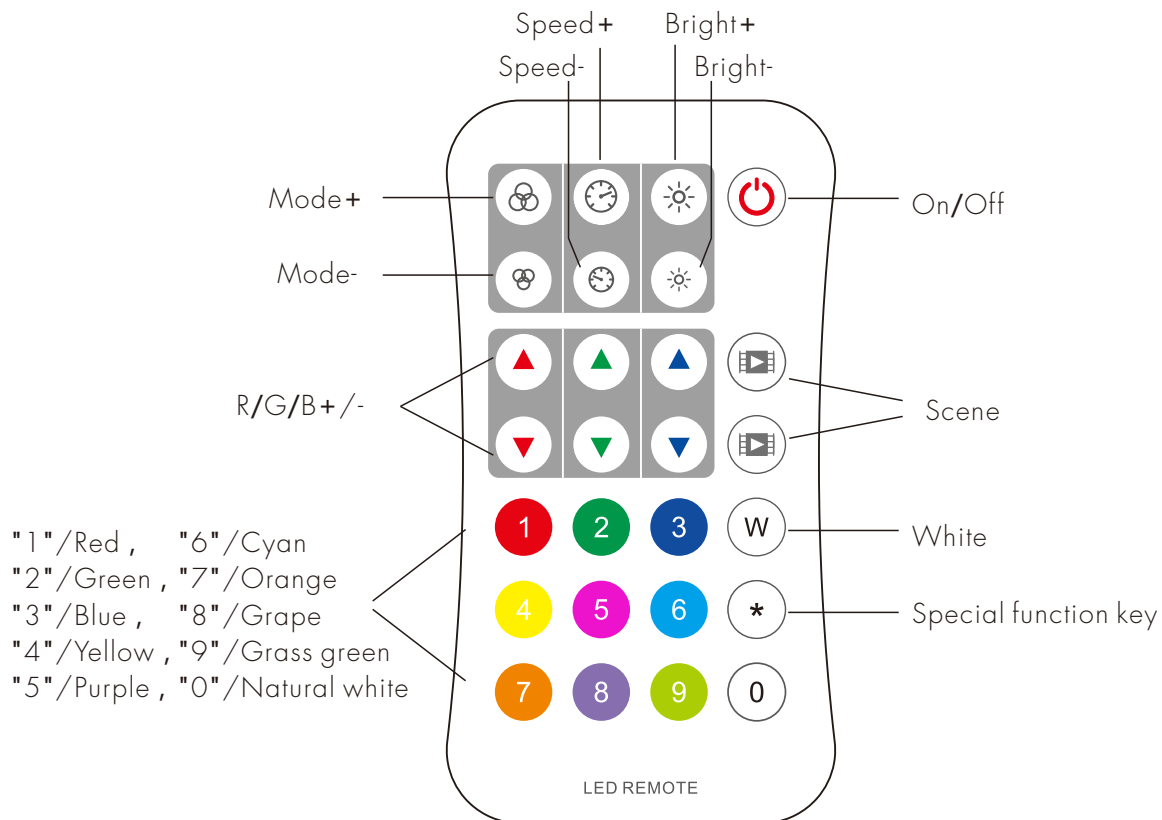
Warranty	
Warranty	5 years

Safety and EMC	
EMC standard (EMC)	EN301 489,EN 62479
Safety standard(LVD)	EN60950
Radio Equipment(RED)	EN300 328
Certification	CE,EMC,LVD,RED

Environment	
Operation temperature	Ta: -30 °C ~ +55 °C
Case temperature (Max.)	Tc: +85 °C
IP rating	IP20

## Key function

Pull out the plastic battery barrier sheet from the battery compartment located on the bottom of the remote before key operation.



**Mode+/-:** Short press switch dynamic mode built in controller,  
long press 2s Mode+ run mode cycle, long press 2s Mode- run the first mode.

**Speed+/-:** Adjust dynamic mode speed,  
short press 10 levels, long press 2s get the fastest / slowest speed.

**Bright+/-:** Adjust brightness,  
short press 10 levels, long press 1-5s for continuous 256 levels adjustment.

**R/G/B+/-:** Adjust R/G/B brightness respectively,  
short press 10 levels, long press 1-5s for continuous 256 levels adjustment.

**White:** Adjust white color,  
For RGB light, short press turn on/off white(RGB mix),  
long press 1-5s adjust saturation continuously.  
For RGBW light, press W key will adjust W channel brightness.  
short press turn on/off W channel,  
long press 1-5s adjust W channel brightness continuously.

**Scene:** Short press recall the scene, long press 2s save the current color into the scene.

## Use T9 remote set SPI digital LED strip

- Set LED strip length [Pixel number(8~1024)]. \* + 3 number + \* for example:
  - \*032\*, set pixel number to 32.
  - \*600\*, set pixel number to 600.
  - \*1024\*, set pixel number to 1024.
- Set LED strip chip type. \* + 2 number + \*
  - \*11\* : TM1803
  - \*12\* : TM1809, TM1804, TM1812, UCS1903, UCS1909, UCS1912, UCS2903, UCS2909, UCS2912, WS2811, WS2812
  - \*13\* : TM1829
  - \*14\* : TLS3001, TLS3002
  - \*15\* : GW6205
  - \*16\* : MBI6120
  - \*21\* : LPD6803, LPD1101, D705, UCS6909, UCS6912
  - \*22\* : LPD8803, LPD8806
  - \*23\* : WS2801, WS2803
  - \*24\* : P9813
- Set LED strip RGB order. \* + 1 number + \*
  - \*1\* : RGB, \*2\* : RBG, \*3\* : GRB, \*4\* : GBR, \*5\* : BRG, \*6\* : BGR.

## Match Remote Control (two match ways)

End user can choose the suitable match/delete ways. Two options are offered for selection:

### Use the controller's Match key

Match:

Short press match key, immediately press on/off key of the remote.

Delete:

Press and hold match key for 5s to delete all match, The light blinks 5 times means all matched remotes were deleted.

### Use Power Restart

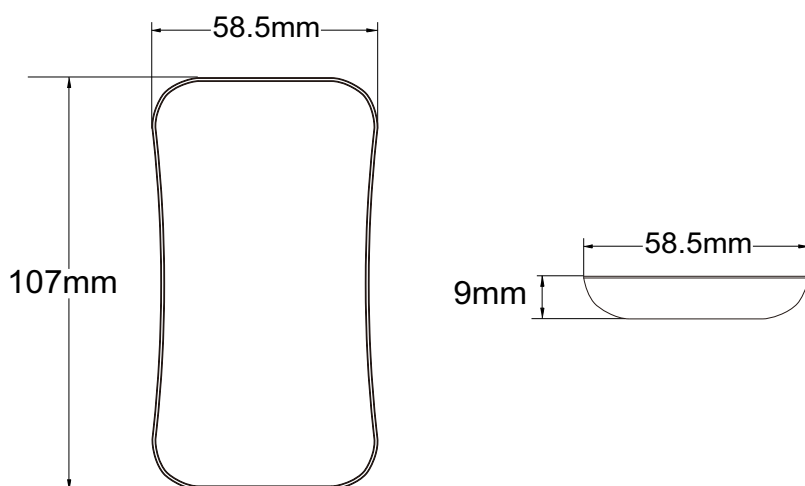
Match:

Switch off the power, then switch on power again, immediately short press on/off key 3 times on the remote. The light blinks 3 times means match is successful.

Delete:

Switch off the power, then switch on power again, immediately short press on/off key 5 times on the remote. The light blinks 5 times means all matched remotes were deleted.

## Dimension



## Safety information

1. Read all instructions carefully before you begin this installation.
2. When installing battery, pay attention to the battery positive and negative polarity.  
A long time without the remote control, remove the battery.  
When remote distance becomes smaller and insensitive, replace the battery.
3. If no response from the receiver, please re-match the remote.
4. Gently handle remote, beware of falling.
5. For indoor and dry location use only.