

DMX512 Signal Decoder User Manual



CE FC RoHS
(Please read through this manual carefully before use)

1. Brief Introduction

The DMX512 Signal Decoder adopted the advanced decoding technology to convert the international standard DMX512/1990 signal into standard LPD6803/LPD8806/TM1809/P9813/TLS3001/WS2801/TM1814/SK6812 signals, each decoder has 96/510 DMX output channels, and the output channels can be expanded by adding decoders, therefore, most of LED lights can be controlled by DMX512/1990 protocol via the signal conversion, then widely used pixel light, digital tube light, floodlight, pixel screen, dancing floor light etc.

2. Specifications

Model	6803	8806	1809	9813
Input Voltage	DC5V-DC24V			
Input Signal	DMX512/1990			
Output Signal	LPD6803	LPD8806	TM1809	P9813
Decode Channel	510	510	510	510
Control LED QTY	170	170	170	170
Control Chip model	LPD6803 LPD1101 D705 UCS6909 UCS6912	LPD8803 LPD8806 LPD8809 LPD8812	TM1803, TM1804 TM1809, TM1812 UCS1903, UCS1909 UCS1912, UCS2903 WS2811, WS2812B UCS2912	P9813
DMX Socket	Standard XLR-3, RJ45 port			
Size (mm)	L125×W52×H40(mm)			
Weight	320g			

1

Model	3001	2801	1814	6812
Input Voltage	DC5V-DC24V			
Input Signal	DMX512/1990			
Output Signal	TLS3001	WS2801	TM1814	SK6812
Decode Channel	510	510	512	512
Control LED QTY	170	170	128	128
Control Chip model	TLS3001 TLS3002	WS2801 WS2803	TM1814	SK6812 UCS2904
DMX Socket	Standard XLR-3, RJ45 port			
Size (mm)	L125×W52×H40(mm)			
Weight	320g			

3. Basic Features

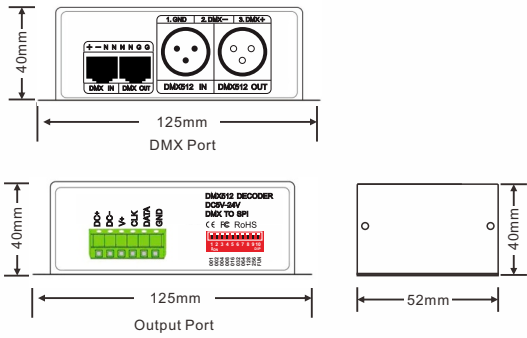
1. In put standard DMX512 protocol. Address can be set by DIP.
2. Automatically adapt input voltage DC5V-24V.
3. Self-Changing Mode exist.
4. Output TTL Signal.
5. Power loss memory function.

4. Safety warnings

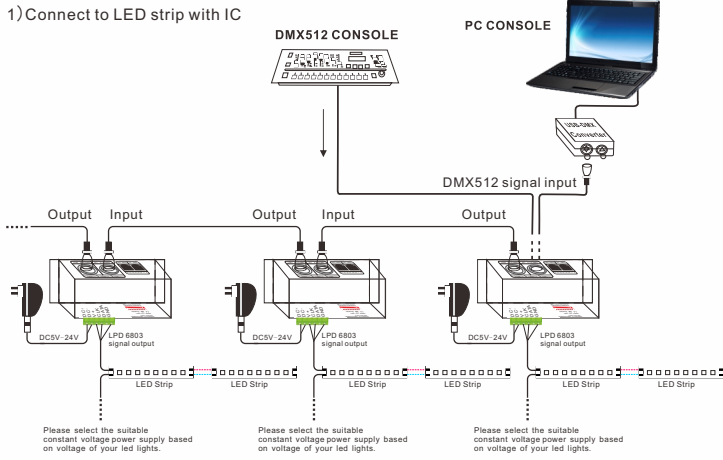
- Please don't install this controller in lightning, intense magnetic and high-voltage fields.
1. To reduce the risk of component damage and fire caused by short circuit, make sure correct connection.
 2. Always be sure to mount this unit in an area that will allow proper ventilation to ensure a fitting temperature.
 3. Check if the voltage and power adapter suit the controller (please select DC12-24V power supply with constant voltage)
 4. Don't connect cables with power on; make sure a correct connection and no short circuit checked with instrument before power on.
 5. Please don't open controller cover and operate if problems occur.
- The manual is only suitable for this model; any update is subject to change without prior notice.
6. More than 32 DMX decoders need to be connected a signal amplifier, and the signal amplification cannot exceed 5 times consecutively.
 7. When the signal line is long or the wire quality causes the signal recoil effect to affect the use of product, you can try to connect 0.25W 90-120Ω terminating resistor at the end of each signal line to solve.

2

5. Interfaces

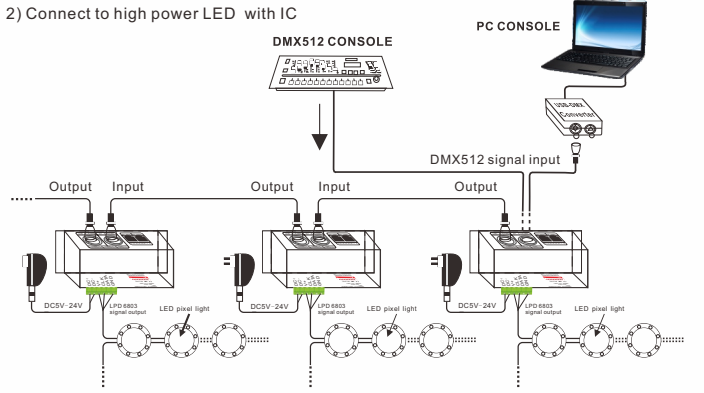


6. Conjunction Diagram



3

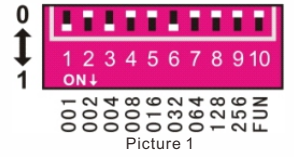
2) Connect to high power LED with IC



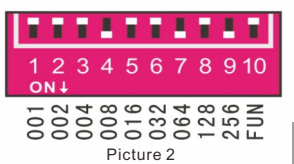
7. Operating instructions

1) Decoder address setting
This decoder occupies 3 addresses, adopted Dip switch to set the address, the Dip switches from 1 to 9 are a kind of binary value coding switches used to set DMX512 initial address code, the correlative bits is the 1-9 bits of the DIP switch, the 1st bit is LSC, the 9th bit MSC, 512 addresses totally.
DMX512 initial address code is equal to the total amount of the Dip switches' number from 1 to 9, press Dip switch downward (ON: at position "1"), user can get the number of its position, if pressing upward (at position "0"), the number of its position is 0. Accept DMX512 signal only when the DIP switch FUN=OFF (at position "0")

Example 1: Set to 37
Set the 6th, 3rd, 1st bit of the DIP switch downward to "1", others to "0" (picture 1), the total sum from 1 to 9 is 32+4+1, so the DMX512 initial address code is 37.



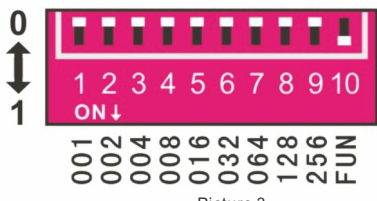
Example 2:
Set DMX512 original address code as 328:
Set the 9th, 7rd, 4st bit of the DIP switch downward to "1", the rest to "0" (as picture 2), the total sum from 1 to 9 is 256+64+8, so the DMX512 original address code is 328.



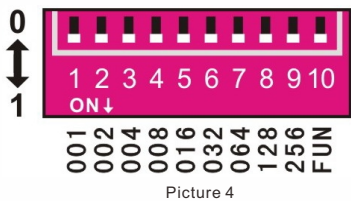
4

2). Instructions for other functions

1. Testing function:
The 10th DIP switch is FUN, acting as the function key.
DMX512 Decoder works when FUN is at OFF, receiving DMX512 signals.
Decoder testing mode works when FUN is at position "ON" as Picture 3:
SWITCH1-9 OFF: BLACK
SWITCH1 IS ON: RED
SWITCH2 IS ON: GREEN
SWITCH3 IS ON: BLUE
SWITCH4 IS ON: YELLOW
SWITCH5 IS ON: PURPLE
SWITCH6 IS ON: CYAN
SWITCH7 IS ON: WHITE
SWITCH8 IS ON: 7 CLOLOR JUMPING
SWITCH9 IS ON: 7 COLOR SMOOTH.



2. Color jumping & color smooth speed
When decoder is at testing mode, DIP Switch 8 is at "ON", it's the 7 Color Jumping, when DIP Switch 9 is at "ON", it's the 7 Color Smooth.



8. Operating instructions

1) Port definition:

Port	Function
DC+ DC-	DC5-24V Power Input
DATA	Data
CLK	Clock
RCK	Register Clock
GND	Ground

Warning: Do not connect the power cable to dataport, otherwise it will damage the decoder!

5

9. Conjunction Instruction:

Model 6803/8806/9813/2801 output LPD6803/LPD8806/P9813/WS2801 signal, three lines:

DATA	6803/8806/9813/2801 DATA
CLK	6803/8806/9813 /2801CLK
GND	GND, connect with the chip GND

Model 1809/3001 output TM1809/TLS3001 signal,two lines:

DATA	TM1809/TLS3001 DATA-CLK
GND	GND, connect with the chip GND

*Note: According to DMX512 protocol, in order to ensure a steady data transmission, you should add a metalster(Metal Thin Film resistor, 90-120Ω 1/4 W)at the end of each layout of DMX data cable(between Foot 2 and Foot 3, Data + and Data -), please also refer to your dmx console manual to select a correct resistor.

10. After-Sales

From the day you purchase our products within 3 years, if being used properly in accordance with the instruction, and quality problems occur, we provide free repair or replacement services except the following cases:

1. Any defects caused by wrong operations.
2. Any damages caused by inappropriate power supply or abnormal voltage.
3. Any damages caused by unauthorized removal, maintenance, modifying circuit, incorrect connections and replacing chips.
4. Any damages due to transportation, breaking, flooded water after the purchase.
5. Any damages caused by earthquake, fire, flood, lightning strike etc force majeure of natural disasters.
6. Any damages caused by negligence, inappropriate storing at high temperature and humidity environment or near harmful chemicals.
7. Product has been updated.

11. Kindly Reminder

1. Power Source Selection

Power source must be DC constant voltage type of power supply. Due to the efficient output in some power supplies are only 80% of total, so please select at least 20% higher output power supply than the consumption of LED lights.

6